

Description

The operating pressure is converted into a proportional electrical signal by a stainless steel relative pressure sensor, amplified and reported as an analog current or voltage signal.

Media

compressed air, natural gases or liquids

Supply voltage

8-35 V DC

with reverse voltage protection, max. current consumption 4 mA

Electrical connector

plug M12x1, 4-pin, with coupling socket

Protection class IP65

Output signal

4-20 mA: max. power consumption 25 mW

0-10 V: max. power consumption 8 mW

Repeatability

≤ ± 0,2% FS

Long-term stability ≤ ± 0,5% FS

Temperature sensitivity

≤ ± 1 % FS

Vibration resistance 10 g

Ambient temperature

0 °C bis 80 °C

Media temperature

0 °C bis 80 °C

Shock resistance

100 g (11 ms)

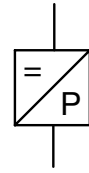
Material

Body: Stainless steel 316L

O-Ring: NBR

Coupling socket: polyacrylamide 50% GF UL 94 V-0

Measuring cell: Stainless steel 316L



**0,5% precise
Compr. air or liquids**

Dimensions			Under-pressure	Over-pressure	Measurement range	Order number
B	Ø	SW	max. bar	max. bar	bar	(4-20 mA)
mm	mm	mm				

Miniature Pressure Transducer

G1/4 male stainless steel, for compressed air, natural gases or liquids, with angular coupling socket

D1

47	29	27	-1	3.0	-1 ...	0 bar	D1A-V00
				3.0	-1 ...	1.5 bar	D1A-V015
				6.0	-1 ...	3 bar	D1A-V03
				10	-1 ...	5 bar	D1A-V05
				18	-1 ...	9 bar	D1A-V09
				30	-1 ...	15 bar	D1A-V15
				48	-1 ...	24 bar	D1A-V24
				3.0	0 ...	1 bar	D1A-01
				3.2	0 ...	1.6 bar	D1A-016
				5.0	0 ...	2.5 bar	D1A-025
				8.0	0 ...	4 bar	D1A-04
				12	0 ...	6 bar	D1A-06
				20	0 ...	10 bar	D1A-10
				32	0 ...	16 bar	D1A-16
				50	0 ...	25 bar	D1A-25
				80	0 ...	40 bar	D1A-40
				60	0 ...	60 bar	D1A-60
				200	0 ...	100 bar	D1A-D1
				400	0 ...	200 bar	D1A-D2
				600	0 ...	300 bar	D1A-D3
				800	0 ...	400 bar	D1A-D4
				1200	0 ...	600 bar	D1A-D6

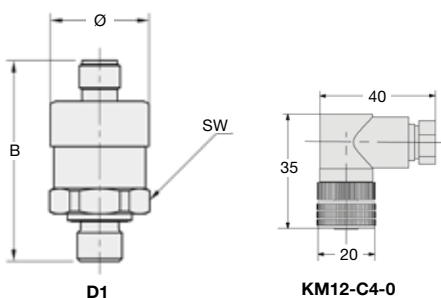


D1



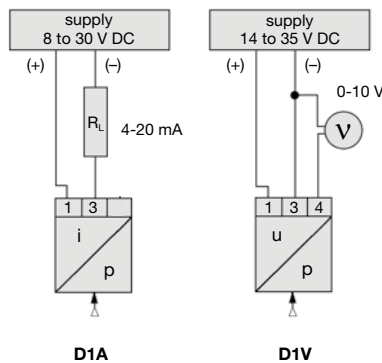
KM-A4-0

coupling socket / cable	
pin	colour
1	brown
2	white
3	blue
4	black



D1

KM12-C4-0



D1A

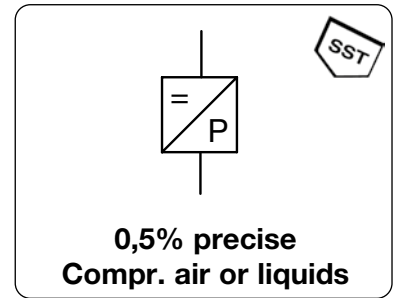
D1V



Top view



Description	The operating pressure is converted into a proportional electrical signal by a stainless steel relative pressure sensor, amplified and reported as an analog current or voltage signal.	
Media	compressed air, natural gases or liquids	
Supply voltage	8-35 V DC	with reverse voltage protection, max. current consumption 4 mA
Electrical connector	plug M12x1, 4-pin, with coupling socket	Protection class IP65
Output signal	4-20 mA: max. power consumption 25 mW	0-10 V: max. power consumption 8 mW
Repeatability	≤ ± 0,2% FS	Long-term stability ≤ ± 0,5% FS
Temperature sensitivity	≤ ± 1 % FS	Vibration resistance 10 g
Ambient temperature	0 °C bis 80 °C	
Media temperature	0 °C bis 80 °C	
Shock resistance	100 g (11 ms)	
Material	Body: Stainless steel 316L	O-Ring: NBR
	Coupling socket: polyacrylamide 50% GF UL 94 V-0	Measuring cell: Stainless steel 316L



Dimensions			Under-pressure	Over-pressure	Measurement range	Order number
B	Ø	SW	max. bar	max. bar	mbar	(4-20 mA)
mm	mm	mm				

Miniature Pressure Transducer						G1/4 male stainless steel, for compressed air, natural gases or liquids, with angular coupling socket	D1
47	29	27	-0.2	0.2	-50 ...	50 mbar	D1A-B5V
			-0.2	0.2	-50 ...	0 mbar	D1A-VB5
			-0.2	0.2	-100 ...	0 mbar	D1A-VC16
			-1.0	1.0	-160 ...	0 mbar	D1A-VC25
			-1.0	1.0	-250 ...	0 mbar	D1A-VC3
			-1.0	1.0	-400 ...	0 mbar	D1A-VC4
			-1.0	3.0	-600 ...	0 mbar	D1A-VC6
			-0.2	0.2	0 ...	50 mbar	D1A-B5
			-0.2	0.2	0 ...	100 mbar	D1A-C1
			-1.0	1.0	0 ...	160 mbar	D1A-C16
			-1.0	1.0	0 ...	250 mbar	D1A-C25
			-1.0	1.0	0 ...	400 mbar	D1A-C4
			-1.0	3.0	0 ...	600 mbar	D1A-C6



Special options, add the appropriate letter or number

0-10 V output signal		D1V...
deviant measurement range	on demand	D1.-XX
Absolute pressure measuring range	Measuring range from 0 ... 25 bar	D1...A
G½a	Connection thread	D1...04

Accessories, enclosed

coupling socket 4-pin	M12x1, straight	KM12-A4-0	
socket with cable	2 m, straight	KM12-A4-2	angular KM12-C4-2
	5 m, straight	KM12-A4-5	angular KM12-C4-5

